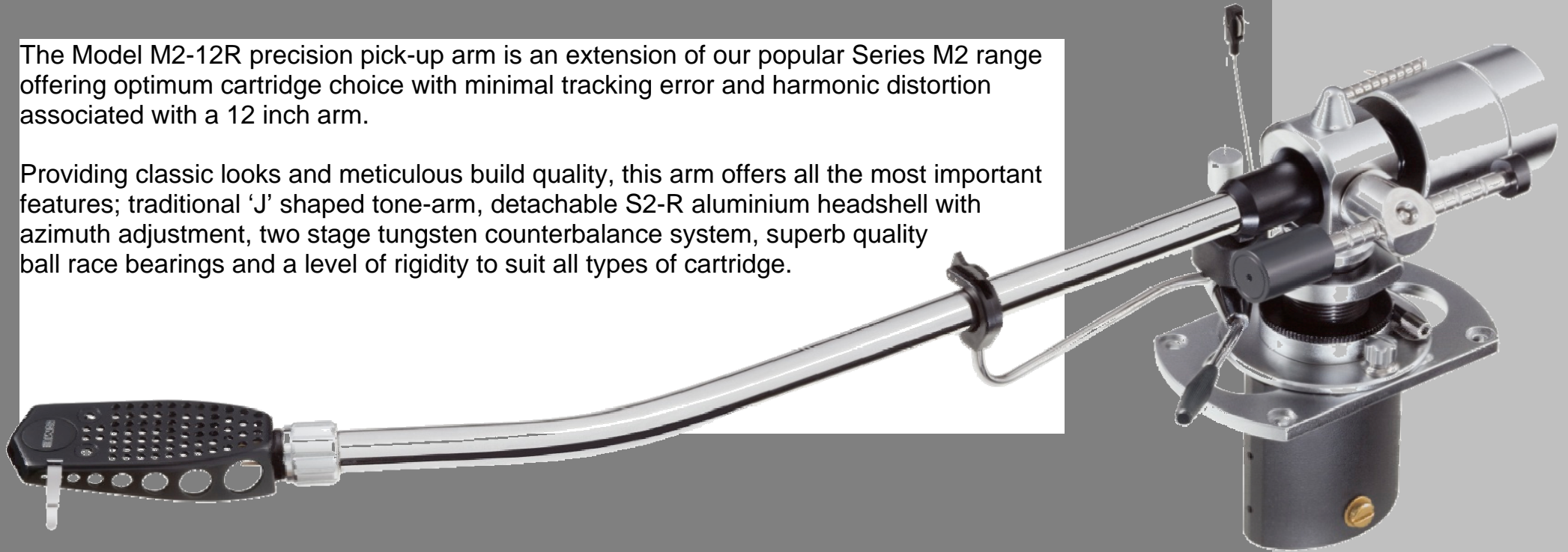


SERIES M2-12R

The Model M2-12R precision pick-up arm is an extension of our popular Series M2 range offering optimum cartridge choice with minimal tracking error and harmonic distortion associated with a 12 inch arm.

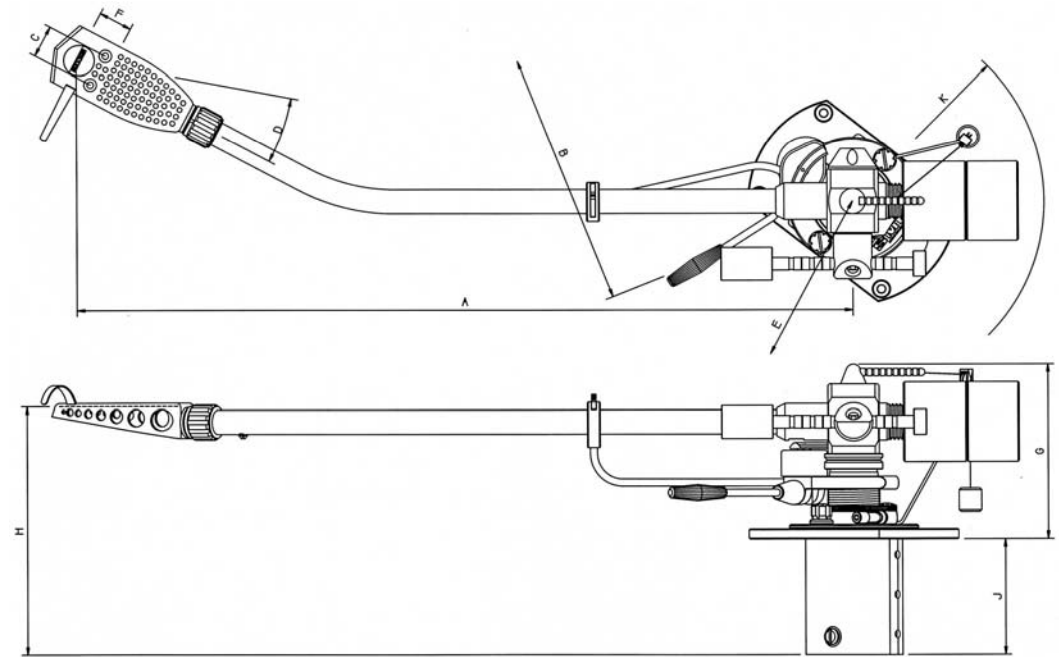
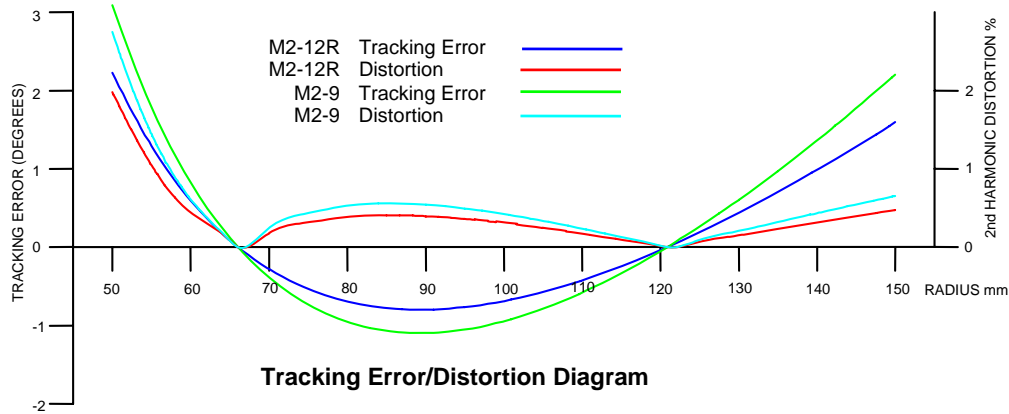
Providing classic looks and meticulous build quality, this arm offers all the most important features; traditional 'J' shaped tone-arm, detachable S2-R aluminium headshell with azimuth adjustment, two stage tungsten counterbalance system, superb quality ball race bearings and a level of rigidity to suit all types of cartridge.



SME

The best pick-up arm in the world

SERIES M2-12R



- The 12in construction with thin walled stainless steel tone-arm takes advantage of the reduction in maximum tracking error/distortion afforded by the greater arm length when compared with 9in models.
- S2-R Aluminum shell detachable and interchangeable without disturbing cartridge or wiring.
- Double draw-in pin bayonet fitting design ensures a rigid junction with the tone-arm.
- Unique headshell to tone-arm coupling readily allows cartridge azimuth adjustment.
- Internal constrained layer damps minute residual vibrations making tone-arm acoustically inert.
- Stainless steel cross shaft, ground and thread ground. Carried in substantial yoke on 10mm precision ball races.
- Stainless steel vertical shaft, ground and thread ground, with integral 16mm diameter flange to couple shaft and yoke.
- 23mm diameter steel pillar, heat treated, ground and honed, carries two 17mm precision ball races, widely spaced to resist tilt.
- Anti-skate control operates through Anti-Skate weight and filament, adjustable for up to 5g VTF.
- Lowering/raising control gives smooth positive action. Height of lift can be adjusted.
- Thumbwheel (Vertical tracking angle VTA) height adjustment.
- Bedplate affords +/- 12.0mm movement to facilitate (Horizontal tracking angle HTA) adjustment.
- Base slides on bedplate for horizontal tracking adjustment with double null-point protractor.
- Tungsten-alloy balance weight inserts allow maximum centre of gravity shift to balance a greater range of cartridges up to 38g in S2-R headshell and direct plug-in heads up to 46g.
- Precise vertical tracking force up to 5g applied in 0,5g increments via rider weight and graduated wayrod.
- Fluid damper FD-M2 is available as an optional extra.
- Alignment protractor designed to provide HTA settings with the greatest accuracy.
- Internal wiring in LCOFC.
- Balanced Hybrid Cable 1.2M audio lead with gold plated phono plugs.

DIMENSIONS

A - Distance from pivot to stylus	308.81mm
B - Distance from pivot to turntable centre	295.60mm
C - Cartridge fixing centres	12.70mm
D - Offset angle	17.62°
E - Linear offset	93.47mm
F - Overhang	13.21mm
G - Height above mounting surface	87.00mm max 63.00mm min
H - Mounting surface to underside of headshell	69.75mm max 45.75mm min
J - Depth below mounting surface	46.00mm
K - Balance weight radial clearance	85.00mm

SPECIFICATIONS

Effective Mass	18.0g
Cartridge balance range:	
In S2-R headshell: up to	38.0g
Plug-in heads: up to	46.0g
Vertical tracking force VTF: up to	5.0g
Maximum tracking error	0.01°/mm
Null points: Inner radius	66.04mm
Outer radius	120.90mm
Weight: net	834.0g
Audio Lead:	
1.2m balanced hybrid cable with gold plated connectors	

SME
The best pick-up arm in the world

The Model M2-12R precision pick-up arm is available in the UK from leading audio stockists only.

Global distribution is made by appointed agents in the countries concerned. Please contact our Sales Department for further details.

SME LIMITED · STEYNING · WEST SUSSEX · BN44 3GY · ENGLAND

☎ +044 (0) 1903 814321 · ☎ +044 (0) 1903 814269
E-mail – sales@sme.ltd.uk · www.sme.ltd.uk